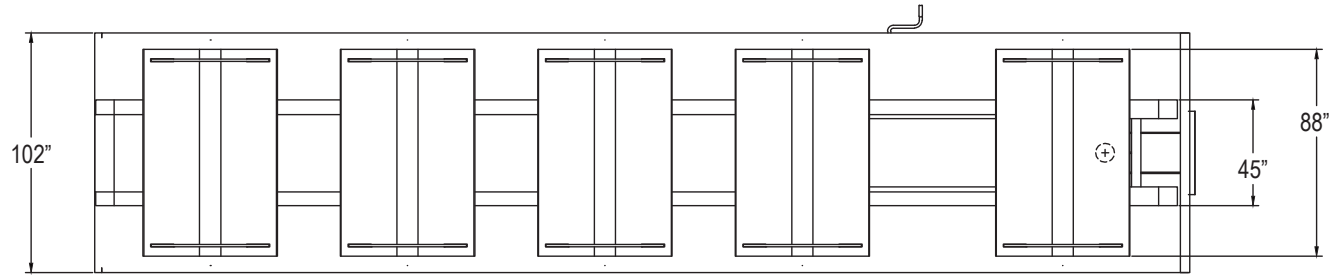


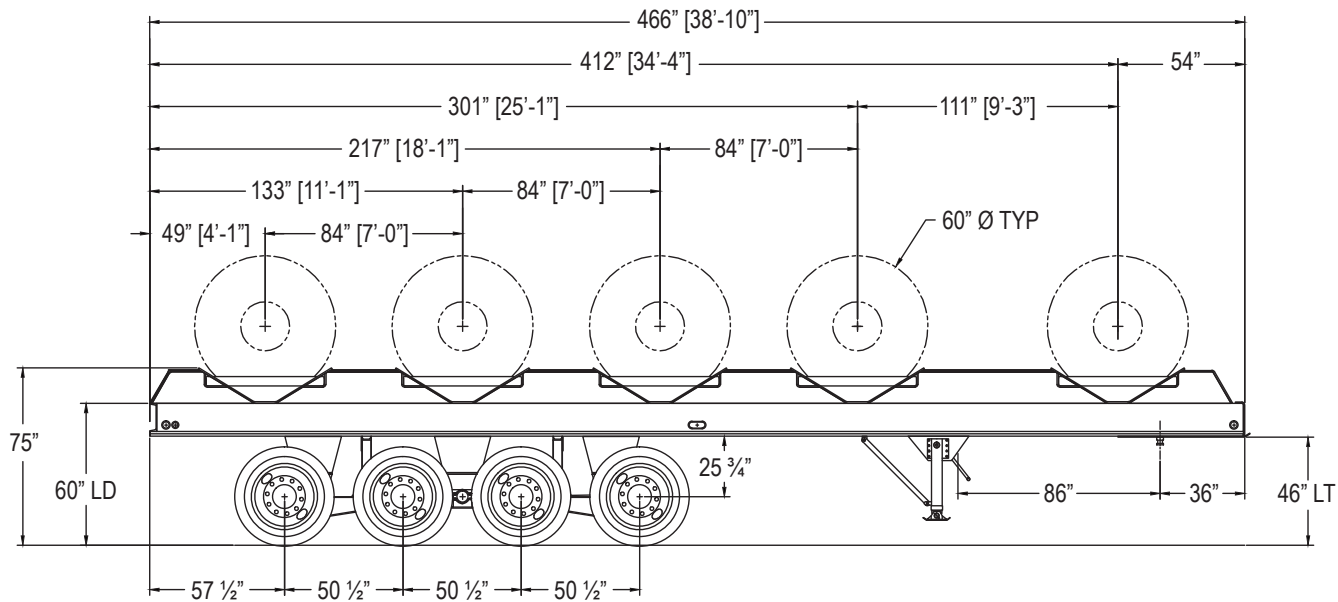
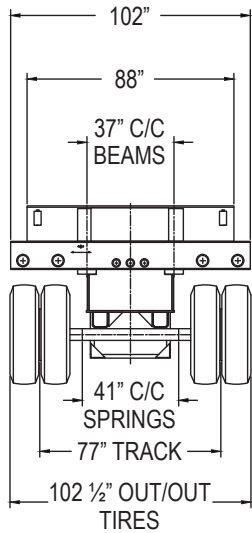


SP100CT - 100-ton Coil Trailer

Model Code: 105-008

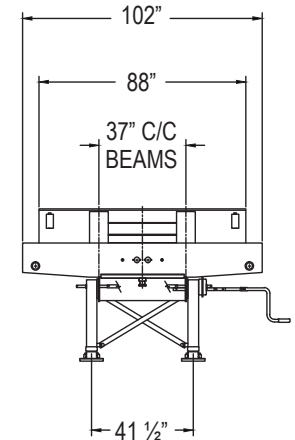


REAR VIEW



[16] - 315/80R22.5(L) TUBELESS RADIAL TIRES
4-AXLE SPRING/WALKING BEAM SUSPENSION

FRONT VIEW



ROGERS BROTHERS CORPORATION

100 Orchard Street
Albion, PA 16401 USA
www.rogerstrailers.com

Toll Free: 800-441-9880
Phone: 814-756-4121
FAX: 814-756-4830

Copyright © 2018 Rogers Brothers Corporation

NOTES: ALL ILLUSTRATIONS, WEIGHTS, AND SPECIFICATIONS ARE APPROXIMATE. THESE MAY VARY WITH MODEL CHANGES AND ARE SUBJECT TO ENGINEERING REVISION AS REQUIRED.