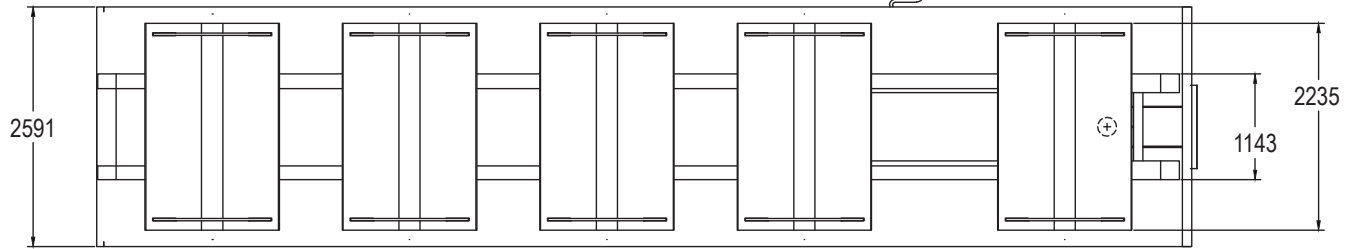
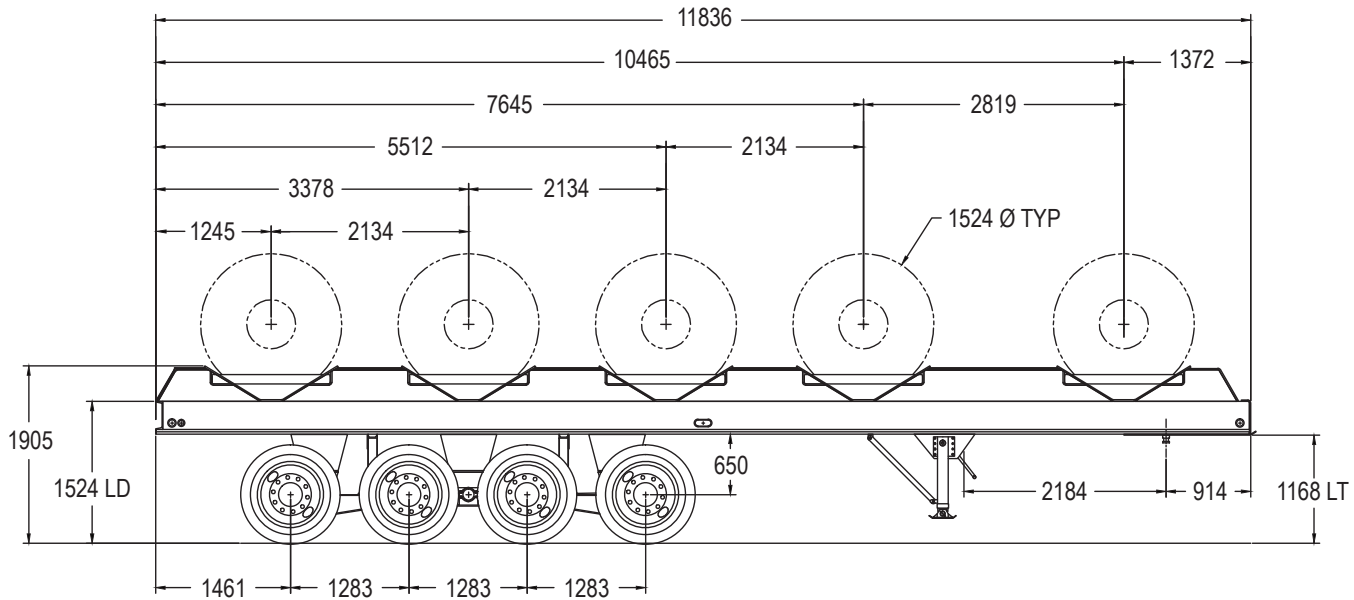
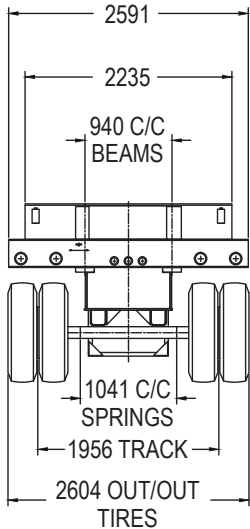




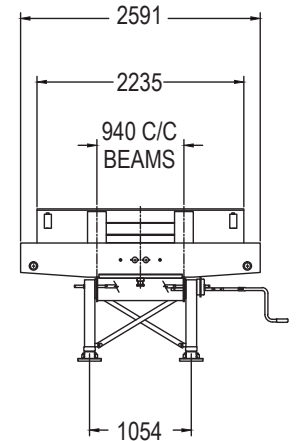
**SP100CT - 100-ton Coil Trailer**  
**Model Code: 105-008**  
**Note: All Dimensions in MM**



**REAR VIEW**



**FRONT VIEW**



[16] - 315/80R22.5(L) TUBELESS RADIAL TIRES  
 4-AXLE SPRING/WALKING BEAM SUSPENSION

**ROGERS BROTHERS CORPORATION**

100 Orchard Street  
 Albion, PA 16401 USA  
 www.rogerstrailers.com

Toll Free: 800-441-9880  
 Phone: 814-756-4121  
 FAX: 814-756-4830

Copyright © 2018 Rogers Brothers Corporation

NOTES: ALL ILLUSTRATIONS, WEIGHTS, AND SPECIFICATIONS ARE APPROXIMATE. THESE MAY VARY WITH MODEL CHANGES AND ARE SUBJECT TO ENGINEERING REVISION AS REQUIRED.