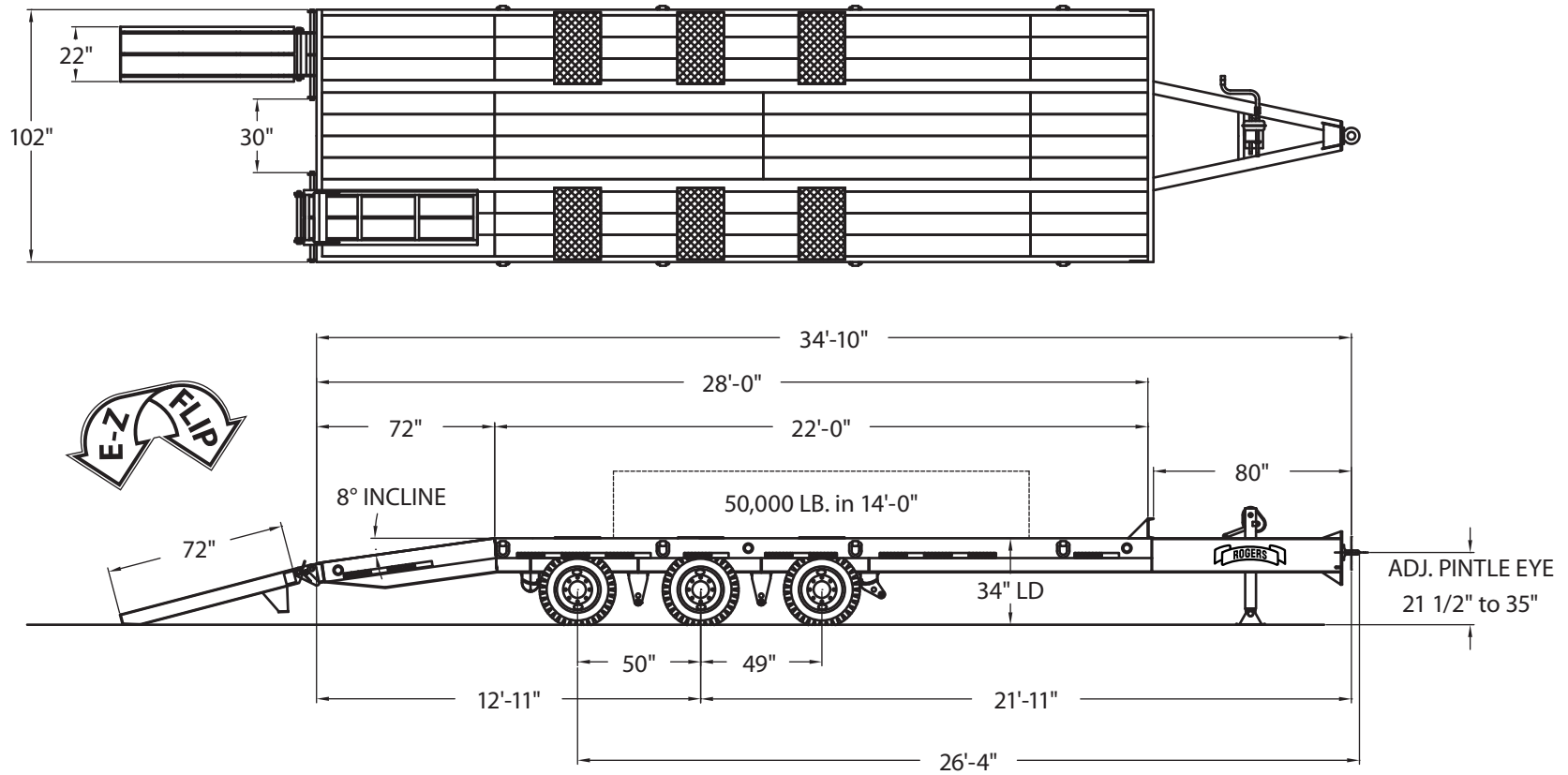




TAG25XXL Tag-Along Trailer

Code 413-002



ROGERS BROTHERS CORPORATION

100 Orchard Street Toll Free: 1-800-441-9880
 Albion, PA 16401 USA Phone: 814-756-4121
 www.rogerstrailers.com Fax: 814-756-4830

Copyright © 2008 Rogers Brothers Corporation

NOTES: DIMENSIONS ARE IN FEET-INCHES. ALL WEIGHT DISTRIBUTIONS ARE ESTIMATED. ALL ILLUSTRATIONS, WEIGHTS, AND SPECIFICATIONS ARE APPROXIMATE. THESE MAY VARY WITH MODEL CHANGES. SUBJECT TO ENGINEERING REVISION AS REQUIRED.