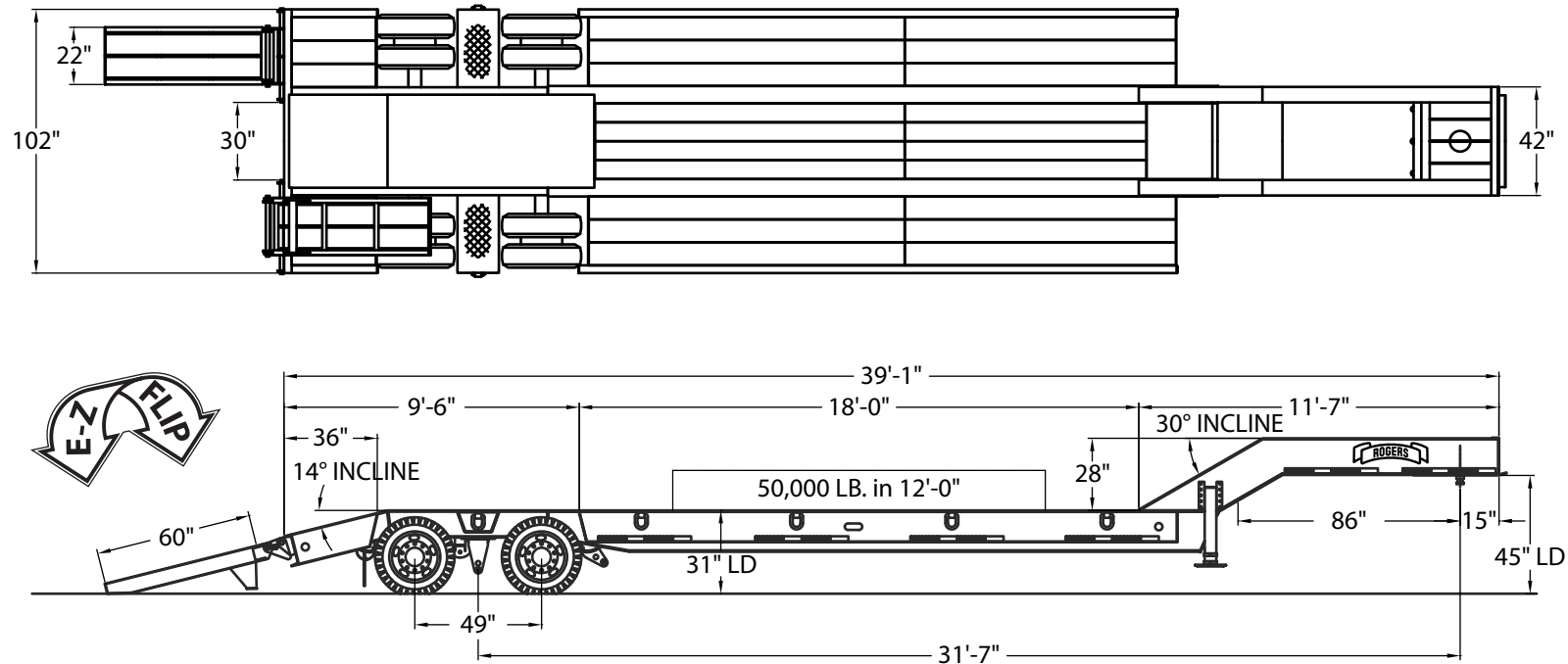




# TVT25 Fixed Gooseneck Trailer

## Code 436-001



### ROGERS BROTHERS CORPORATION

100 Orchard Street      Toll Free: 1-800-441-9880  
 Albion, PA 16401 USA      Phone: 814-756-4121  
 www.rogerstrailers.com      Fax: 814-756-4830

Copyright © 2008 Rogers Brothers Corporation

NOTES: DIMENSIONS ARE IN FEET-INCHES. ALL WEIGHT DISTRIBUTIONS ARE ESTIMATED. ALL ILLUSTRATIONS, WEIGHTS, AND SPECIFICATIONS ARE APPROXIMATE. THESE MAY VARY WITH MODEL CHANGES. SUBJECT TO ENGINEERING REVISION AS REQUIRED.