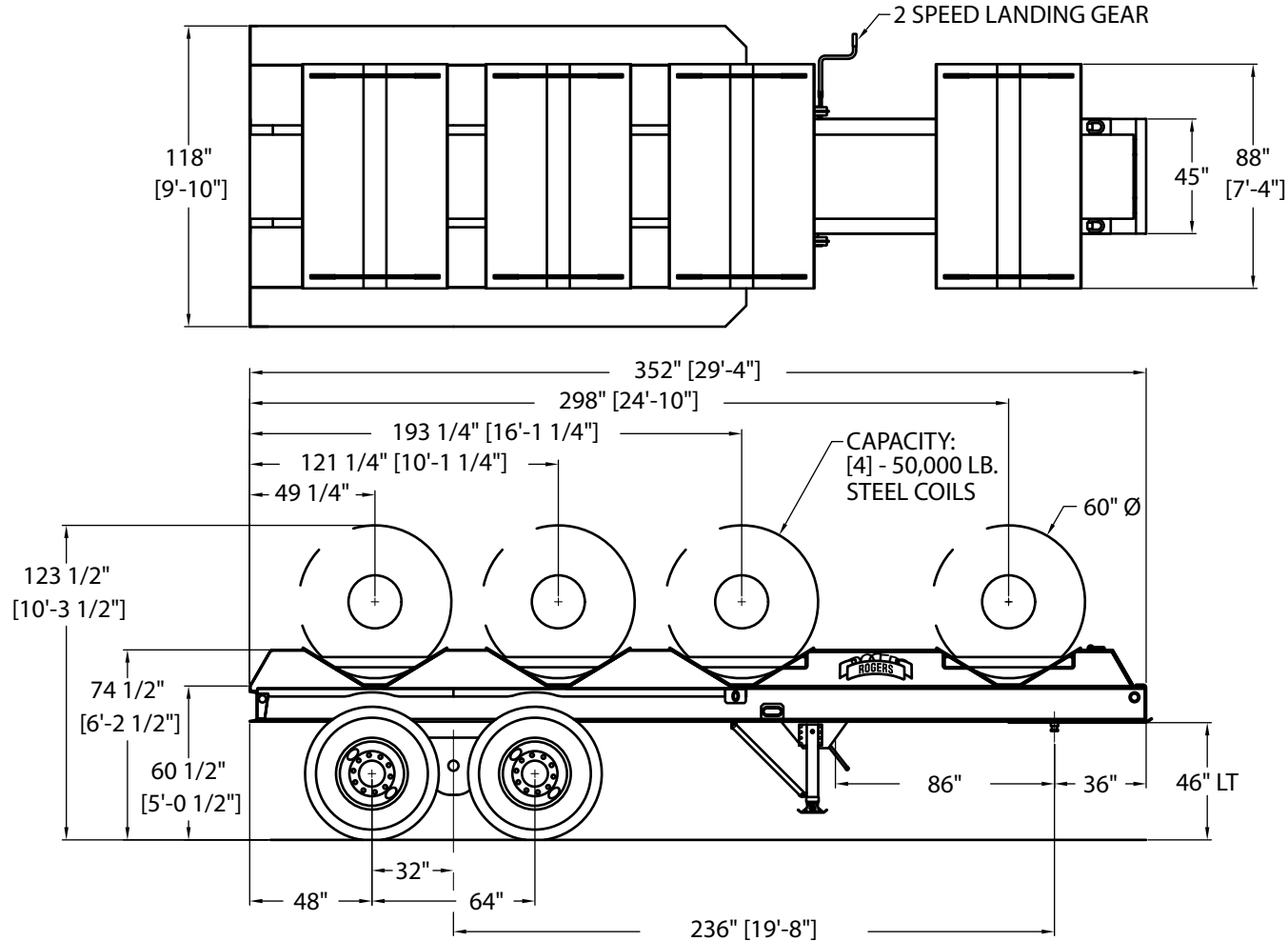




# SP100CT Steel Coil Trailer

## Code 105-002



### ROGERS BROTHERS CORPORATION

100 Orchard Street  
Albion, PA 16401 USA  
www.rogerstrailers.com

Toll Free: 1-800-441-9880  
Phone: 814-756-4121  
Fax: 814-756-4830

Copyright © 2010 Rogers Brothers Corporation

NOTES: DIMENSIONS ARE IN FEET-INCHES. ALL WEIGHT DISTRIBUTIONS ARE ESTIMATED. ALL ILLUSTRATIONS, WEIGHTS, AND SPECIFICATIONS ARE APPROXIMATE. THESE MAY VARY WITH MODEL CHANGES. SUBJECT TO ENGINEERING REVISION AS REQUIRED.