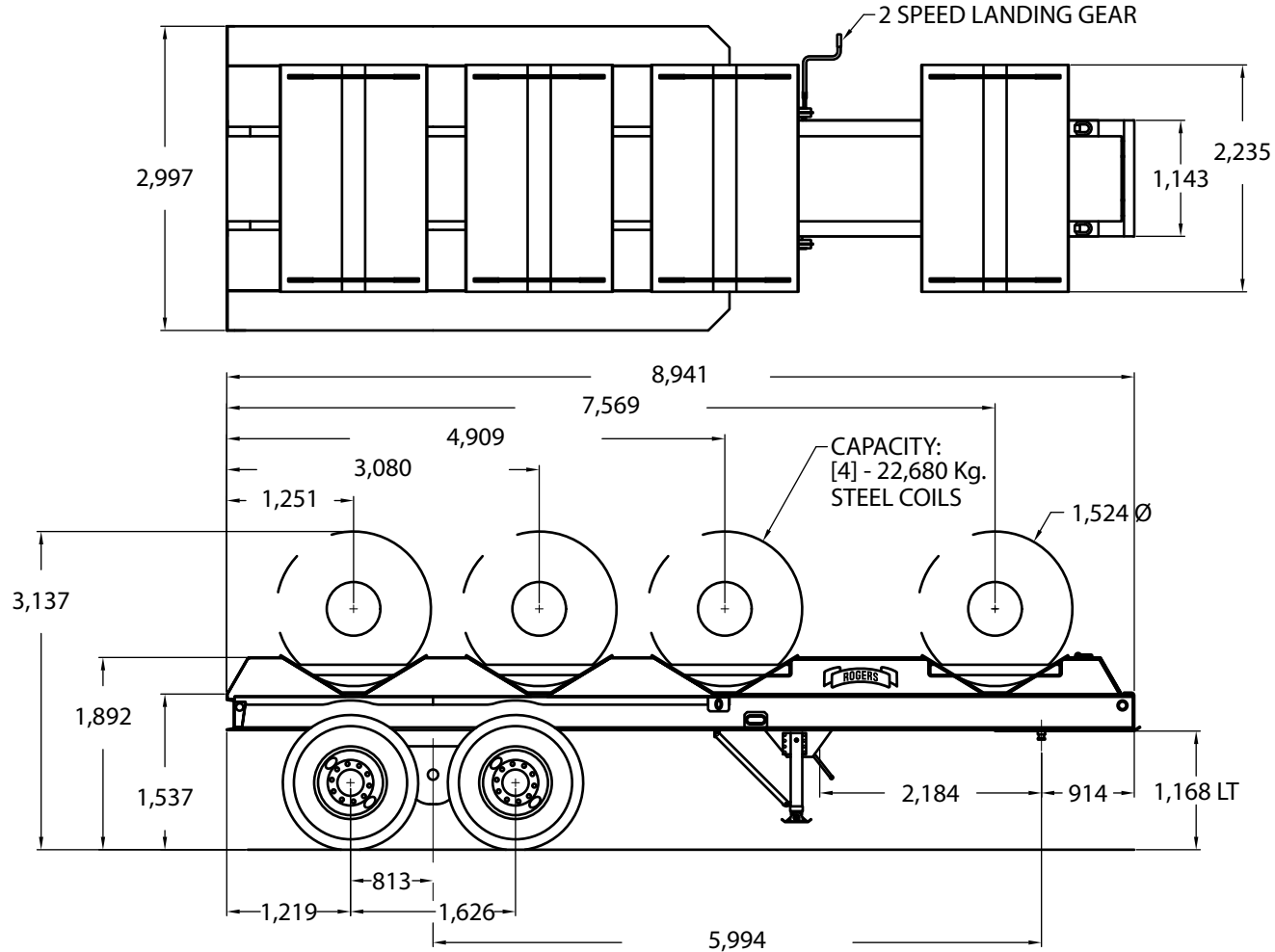




SP100CT Steel Coil Trailer

Code 105-002



ROGERS BROTHERS CORPORATION

100 Orchard Street
Albion, PA 16401 USA
www.rogerstrailers.com

Toll Free: 1-800-441-9880
Phone: 814-756-4121
Fax: 814-756-4830

Copyright © 2010 Rogers Brothers Corporation

NOTES: DIMENSIONS ARE IN MILLIMETERS. ALL WEIGHT DISTRIBUTIONS ARE ESTIMATED. ALL ILLUSTRATIONS, WEIGHTS, AND SPECIFICATIONS ARE APPROXIMATE. THESE MAY VARY WITH MODEL CHANGES. SUBJECT TO ENGINEERING REVISION AS REQUIRED.