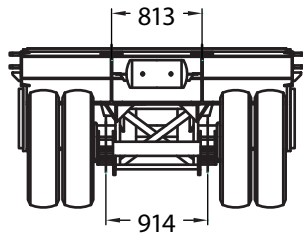




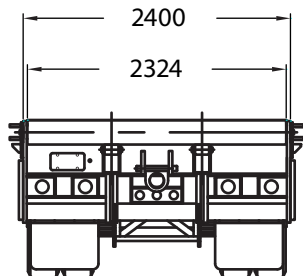
OF40L Oil Field Specialized Trailer

Code 657-001

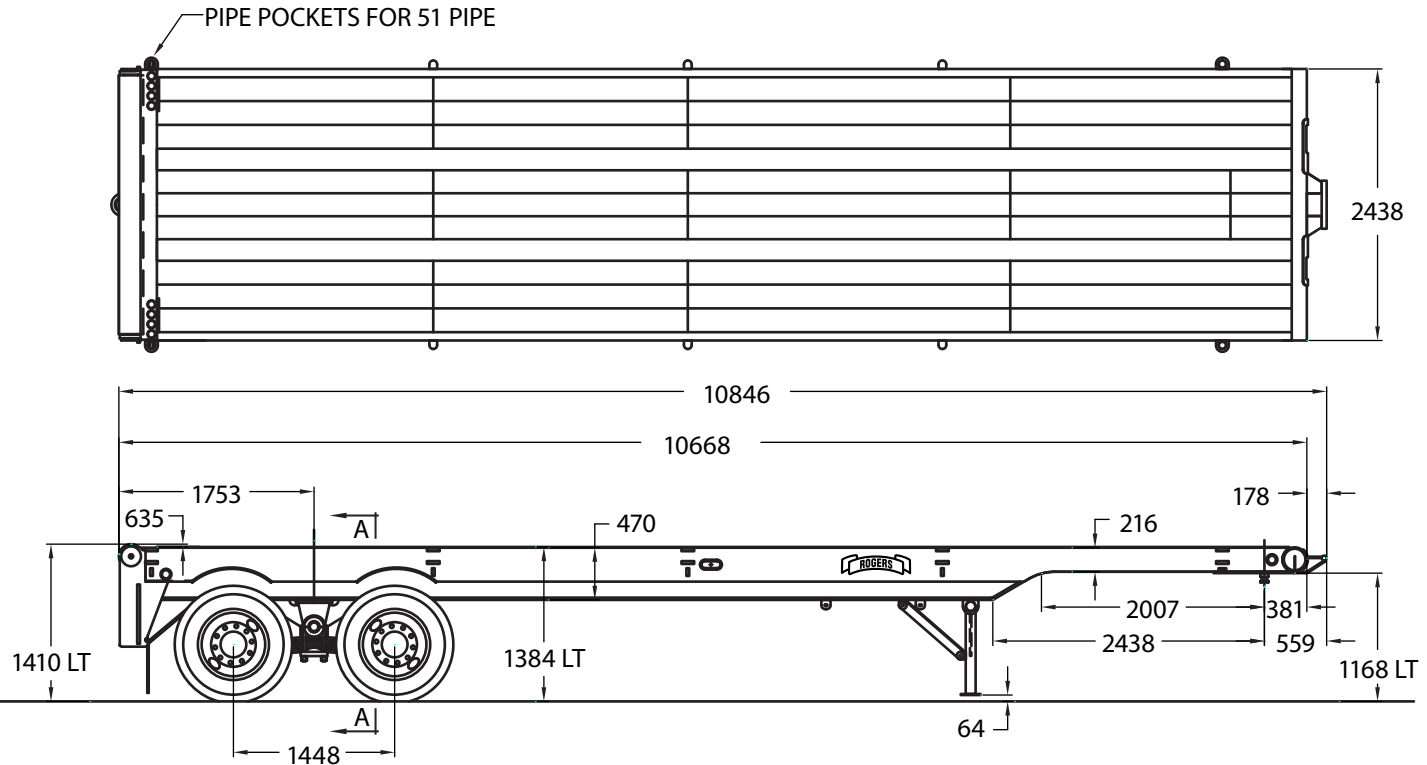
OF40L96/46/35/96/2XSP
CODE 657-001



SECTION A-A



REAR VIEW



ROGERS BROTHERS CORPORATION

100 Orchard Street Toll Free: 1-800-441-9880
Albion, PA 16401 USA Phone: 814-756-4121
www.rogerstrailers.com Fax: 814-756-4830

Copyright © 2008 Rogers Brothers Corporation

NOTES: DIMENSIONS ARE IN MILLIMETERS. ALL WEIGHT DISTRIBUTIONS ARE ESTIMATED. ALL ILLUSTRATIONS, WEIGHTS, AND SPECIFICATIONS ARE APPROXIMATE. THESE MAY VARY WITH MODEL CHANGES. SUBJECT TO ENGINEERING REVISION AS REQUIRED.