



ULTIMA™ SERIES

55 TON CAPACITY



**130,000 PSI Fabricated Mainbeams
20" Loaded Deck Height**

SOME OPTIONAL EQUIPMENT MAY BE SHOWN.

The ROGERS® **ULTIMA™ CR55** - our high performance 55-ton capacity detachable gooseneck trailer. It features a low, tapered front end; the "No Foot"® self-lifting gooseneck; and a "bucket pocket" in the deck. It's design of 1/2 load concentration, 55 tons in any 12'-6" of deck, means more load options. The wide "boom trough" combines with the 20" loaded deck height for the industry's lowest transport height.

STANDARD FEATURES

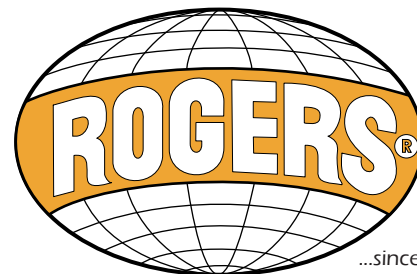


■ Sloped 30° bridge ramps give easy access to the rear frame. The deck's (3) notched cross members, the "bucket pocket," combines with the "boom trough" of the rear frame to allow more overhead clearance. This Ultima™ CR55 includes air ride suspension, LED light package, and the hinges and pins installed for a removable 4th axle.

■ Full 1 3/4" air-dried oak decking is installed with carriage bolts and cupped washers. Removable swinging side brackets widen the deck to 10'-6". The rear frame has wide trunnions and the axle spacing is 54 1/2". Each axle has spring parking brakes and premium 4S/2M anti-lock braking system.



■ The powerful "No Foot"® self-lifting tower style gooseneck operates with low hydraulic pressure. It can easily lift the rated load on any terrain and can quickly change deck height to clear any obstruction. It also features extension blocks that provide 4" of adjustment to the 5th wheel height.

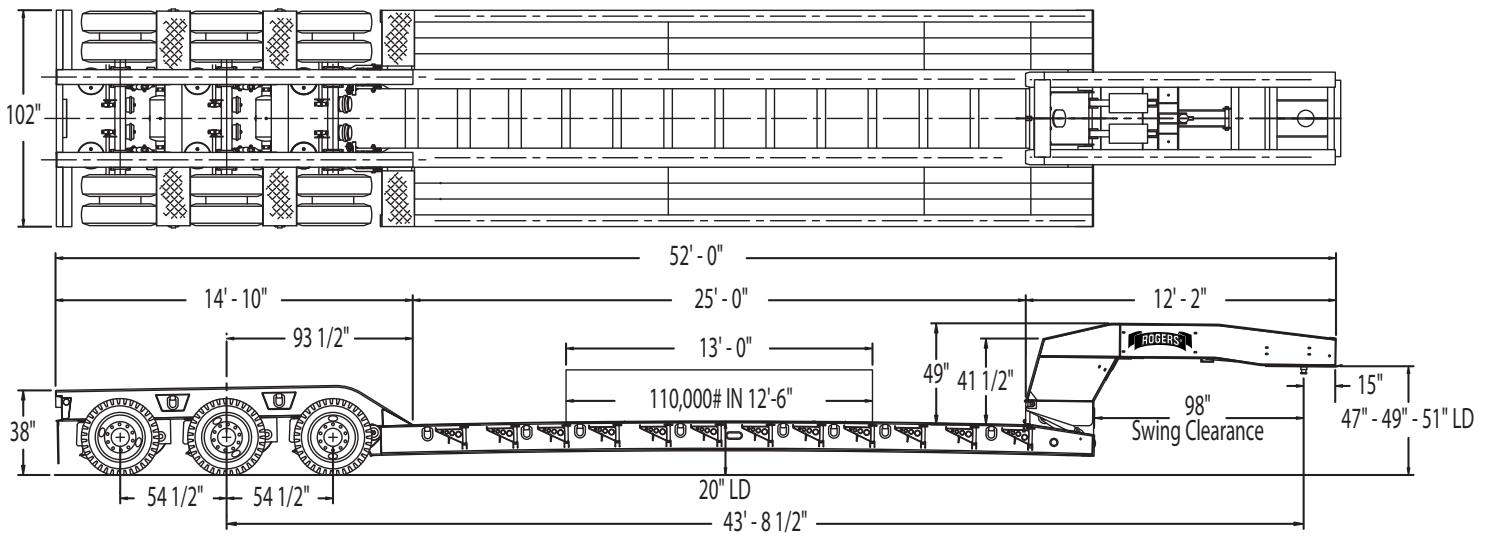


...since 1905

THE ULTIMATE IN TRAILERS®

ROGERS BROTHERS CORPORATION
www.rogerstrailers.com

The name you know, experience you can trust and the performance to back it up.



SPECIFICATIONS	Maximum Structural Capacity	Suspension	Axles	Tires	Wheels & Rims	Air Brakes	Gooseneck Hydraulics	Empty Weight	Gross Vehicle Weight Rating	Gross Axle Weight Rating
	55 tons in 12'-6" of the deck	Air Ride with mechanical height control Capacity: 75,000 lb	5" round Capacity: 25,000 lb @ 60 mph	275/70R22.5(H) low-profile tubeless radial Capacity: 24,700 lb	22.5" x 8.25" hub-piloted 10-hole steel disc wheels on 16 1/2" x 7" drum	Rising "S" cam style 4S/2M ABS with spring parking brakes	Max. Pressure: 2,000 psi Max. Flow: 20 gpm	22,610 lb	132,610 lb	24,700 lb @ 60 mph 25,000 lb @ 20 mph

STANDARD FEATURES

- 1/2 load concentration on 14" deep beams.
- 25'-0" x 102" platform deck with 20" loaded height.
- Axle spacing 54 1/2".
- Hydraulic gooseneck jack with paddle and shoe.
- Side member flange reinforcing of first 6'-0" of deck.
- Full 1 3/4" air-dried oak decking; No center boards.
- Twenty-four (24) removable swinging side brackets.
- Sixteen (16) bent lashing D's.
- "Bucket pocket" in the deck.
- Sloped bridge ramps; trunnions; "boom trough".
- Preparation for removable 4th axle.
- LED Lights: US DOT 12-volt rubber-mounted with sealed wiring system and 7-wire socket.
- Epoxy primer; ROGERS Red or Black enamel finish.

OPTIONAL EQUIPMENT

- Gooseneck fenders.
- 13 HP gas engine power unit.
- Hydraulic trap doors.
- Toolbox, gooseneck or deck.
- Front folding ramps.
- Center boards, installed or loose.
- Reinforced 1/4" smooth plate wheel covers.
- Aluminum disc wheels.
- Hubodometer.
- Air lift on 3rd axle.
- US DOT safety light system w/ "Deep Cycle" battery.
- Removable 4th axle.
- Backup warning alarm, electronic or mechanical.
- Other ROGERS paint colors available.



ROGERS BROTHERS CORPORATION

100 Orchard Street
Albion, Pennsylvania, 16401
(800) 441-9880
(814) 756-4121
(814) 756-4830 FAX
www.rogerstrailers.com

In keeping with our policy of constant improvement, the designs, materials, and specifications are subject to change without notice or penalty. Capacity ratings are frame ratings only. Actual load capacities may be restricted by factors such as gross axle weight ratings (GAWR) and/or state and federal regulations.